



Version 1.0

Loss Factors



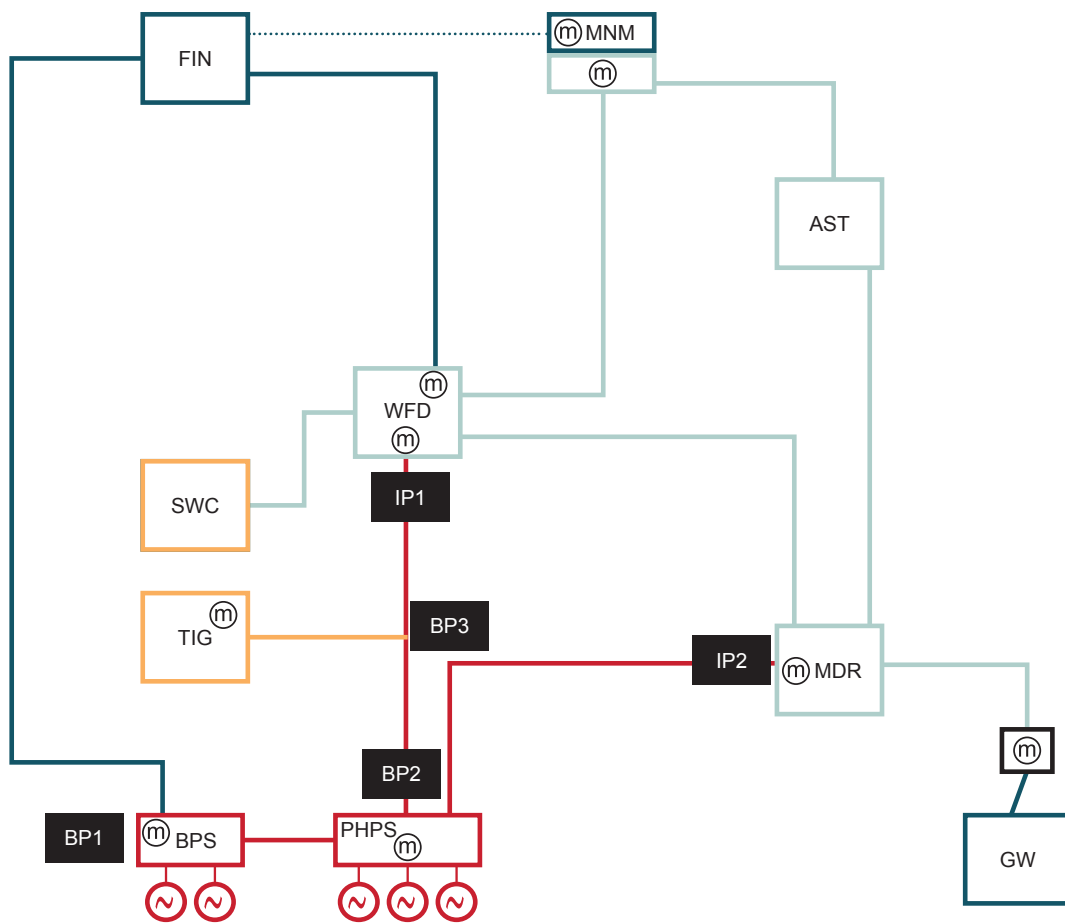
Purpose

Rule 146 of the Pilbara Network Rules requires a Covered NSP, to the standard of GEIP (but subject to rule 144), to determine, and from time-to-time review and revise, Loss Factors for —

- a. each Balancing Point in its Network; and
- b. if its Network includes non-interval-metered loads, a Notional Wholesale Meter.

The Balancing Points and the Loss Factors for the APA DEWAP network are set out below.

Balancing Points



Legend:

BP1	Finucane Island Load	AST	Anderson Street Substation	WFD	Wedgefield Substation
BP2	PHPS Generation	BPS	Boodarie Power Station	----	66kV Cable
BP3	Tiger Load	FIN	Finucane Island Substation	(m)	Meter location
IP1	Wedgefield Interconnection	GW	Goldsworthy Substation	■	APA
IP2	Murdoch Interconnection	HPS	Hedland Power Station	■	BHPB
		MDR	Murdock	■	FMG
		MNM	Mt Newman (Nelson Pt) Substation	■	Horizon Power
		TIG	Tiger Substation		



Loss Factors

All loss factors have been calculated relative to the reference node located at the Wedgefield 66 kV busbar.

Connection type	Name	Balancing Point	Voltage Level (kV)	Loss Factor
Load	Finucane Island	BP1	11	0.9866
Generation	Port Hedland Power Station	BP2	11	0.9968
Load	Tiger Substation	BP3	66	1.0083
Interconnection ¹	APA - HP Wedgefield	IP1	66	1.0011
Interconnection ¹	APA - HP Murdoch Drive	IP2	22	1.0076

Contact Details

Please contact us for more information or if you would like to request a loss factor determination for a Connection Point where no loss factor exists:

Email: nwisnetworkaccessenq@apa.com.au

Head of Commercial

Level 12, 141 St Georges Terrace

Perth WA 6000

www.apa.com.au/our-services/other-energy-services/electricity-interconnectors/north-west-interconnected-system-nwis/

¹ Listed for completeness, noting that the note under rule 218(1)(c) states that “interconnection Points between Covered Networks are not Balancing Points under these Rules. However, the EBAS engine will make calculations at those points to determine net Network loads, and Legacy Rights can exist at these points under Subchapter 9.1”.